



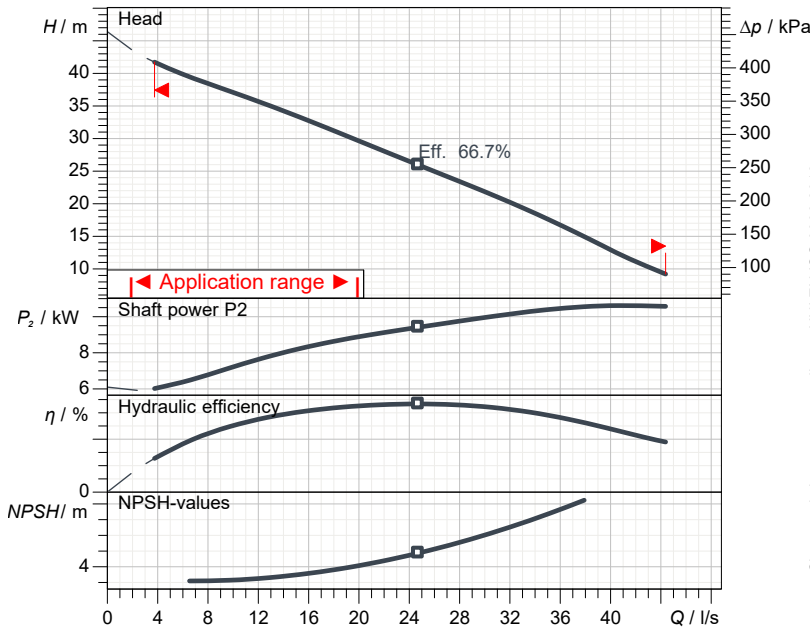
better together

Data sheet

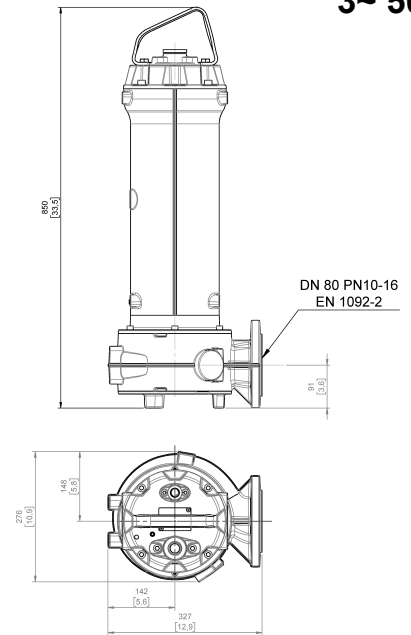
DRG 1500/2/80 A0GT5

GREY
series

Technical specification



Characteristic curves according to UNI EN ISO 9906:2012
P₂<10kW: paragraph 4.4.2
10kW<P₂<100kW: Grade 3B
P₂>100kW: Grade 2B



[mm
(inch)]

Pump

Series	GREY series
Type	DRG 1500/2/80 A0GT5
Version	TS 10 400Y NN NN GG

Operating limits (standard pumps)

Max. ambient temperature	40 °C
Max. density treated liquid	1100 kg/m ³
pH treated liquid	6 ÷ 14
Max. start per hour (equally distributed)	15
Wet/dry use	WET
Max. acoustic pressure level	70 dB
Operating mode*	Continuous use - S1 Discontinuous use (excluding FM models) S3 = 15%

*check the minimum operating level on dimensional drawing page

Motor data

Rated voltage	400 V
Frequency	50 Hz
Motor phases	3~
Number of poles	2
Rated power P ₂	11.00 kW
Incoming power P ₁	12.56 kW
Rated current	19.5 A
rpm	2895 1/min
Efficiency	87.6 %
cos φ	0.930
Rated torque	36.3 Nm
Start	Star-delta
Starting current	53.5 A
Starting torque	30.1 Nm
Degree of protection	IP 68
Insulation class	H
Capacitor	
Starting Capacitor	

Construction materials

Case	Cast iron EN-GJL 250
Shaft	Stainless steel AISI 431
Hydraulic	Cast iron EN-GJL 250
Impeller	Cast iron EN-GJL 250
Painting/Coating	Bi-epoxy 200 μm sea water
Screws	Stainless steel - Class A2-70
Gaskets	NBR

Construction features

Cooling system	No cooling jacket
Main cable	7G1,5+3x1
Cable length	10 mt
Mechanical seals	2 in silicon carbide (2SiC)
Additional drilling	-
Weight*	105.7 kg
Electrical variant	Thermal protection and leakage sensor

* cable and fixing system excluded

Hydraulic

Free passage	40 mm
Impeller type	Open channel impeller
Max. hydraulic efficiency	66.7 %
Suction	DN 80 UNDRILLED
Discharge	DN 80 EN 1092-2



better together

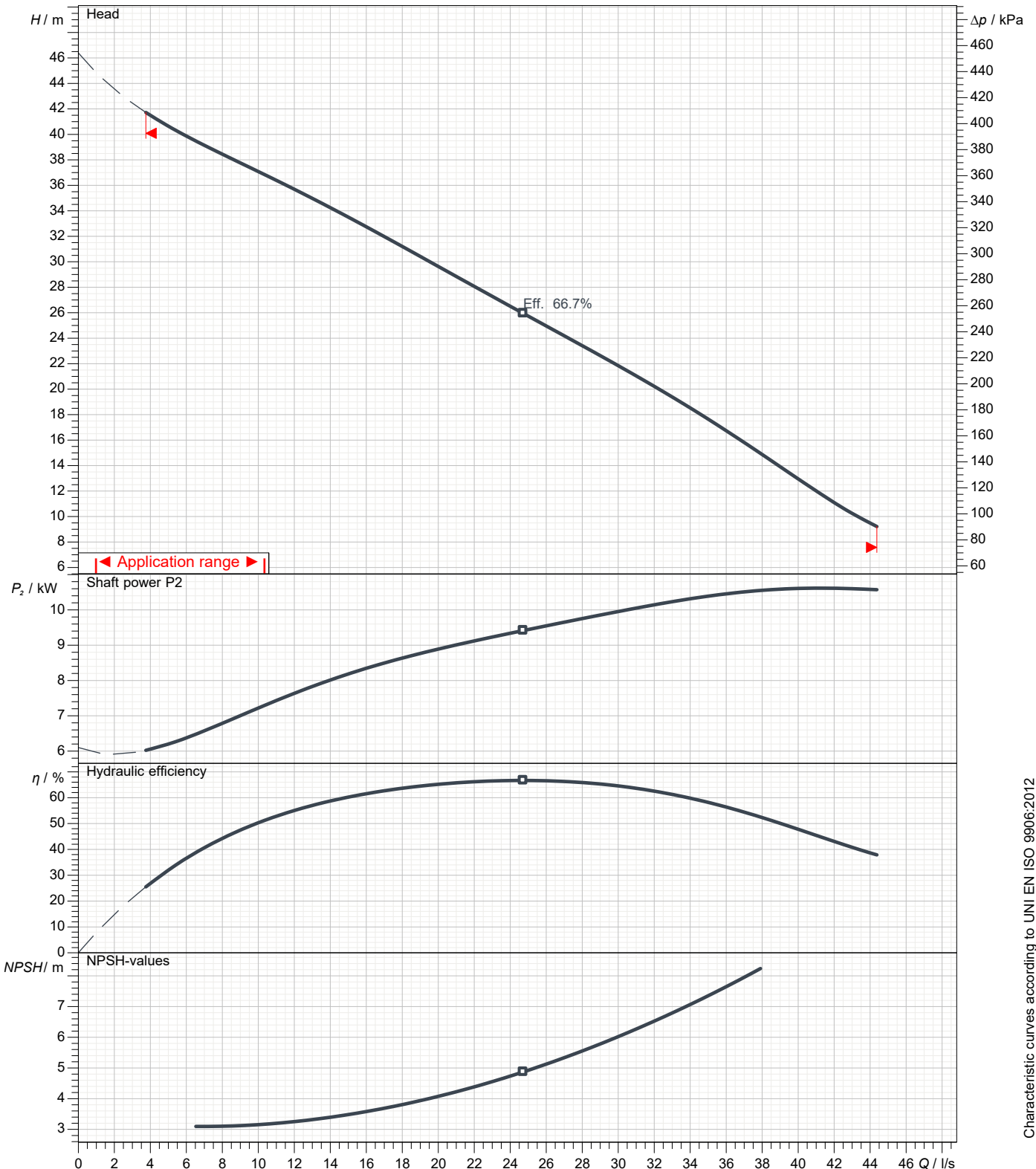
Data sheet DRG 1500/2/80 A0GT5

GREY
series

Pump performance curves

3~ 50 Hz

Impeller type Open channel impeller		Free passage 40 mm	Discharge DN 80	Suction DN 80	
DUTY POINT					
Flow	Head	Shaft power P₂	Hydraulic efficiency	Density 998.3 kg/m ³	Viscosity 1.005 mm ² /s



Characteristic curves according to UNI EN ISO 9906:2012
 P₂<10kW: paragraph 4.4.2
 10kW<P₂<100kW: Grade 3B
 P₂>100kW: Grade 2B



better together

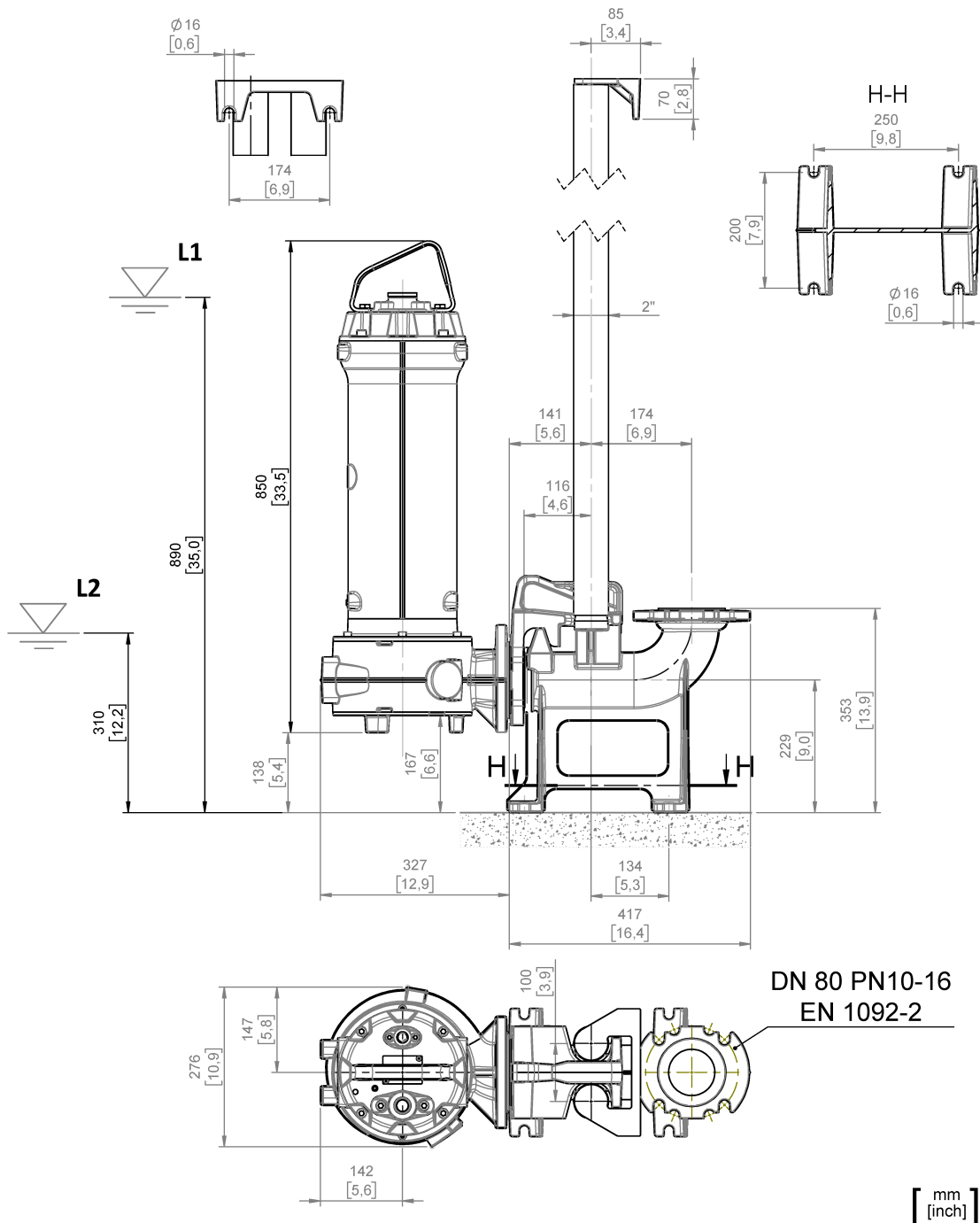
Data sheet DRG 1500/2/80 A0GT5

GREY
series

Dimensional drawing

3~ 50 Hz

Installation type Installation with bottom coupling device - Vertical outlet		
Wet/dry use WET	Drilling variant N	Flushing valve - drilling -
Discharge DN 80 EN 1092-2	Suction DN 80 UNDRILLED	Pressure rating (suction/discharge): -/PN 10
Accessory DAC 80/80V+KAF 116-2" EN (P)		Accessory code 9001.032
Note: Accessory must be ordered separately		



[mm
[inch]

L1: Minimum operating level for S1 - continuous use

L2: Minimum operating level for S3 - discontinuous use (excluding FM models)